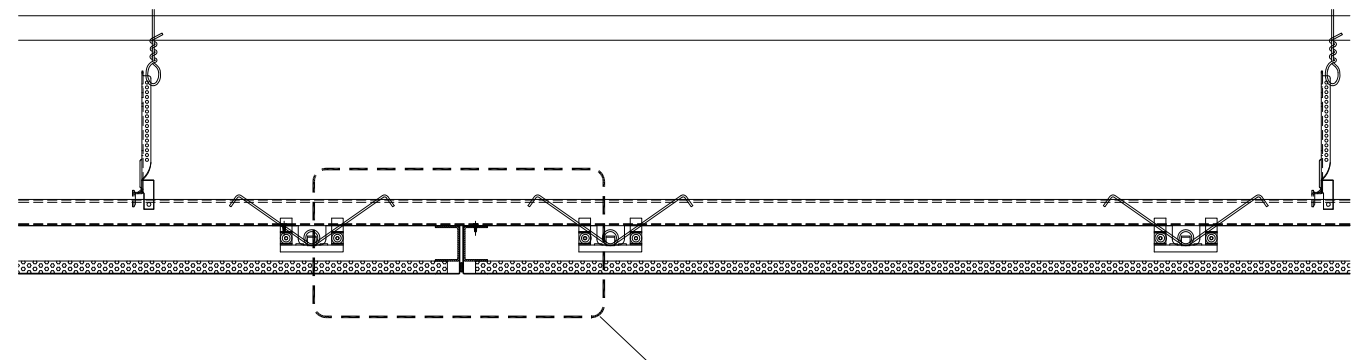


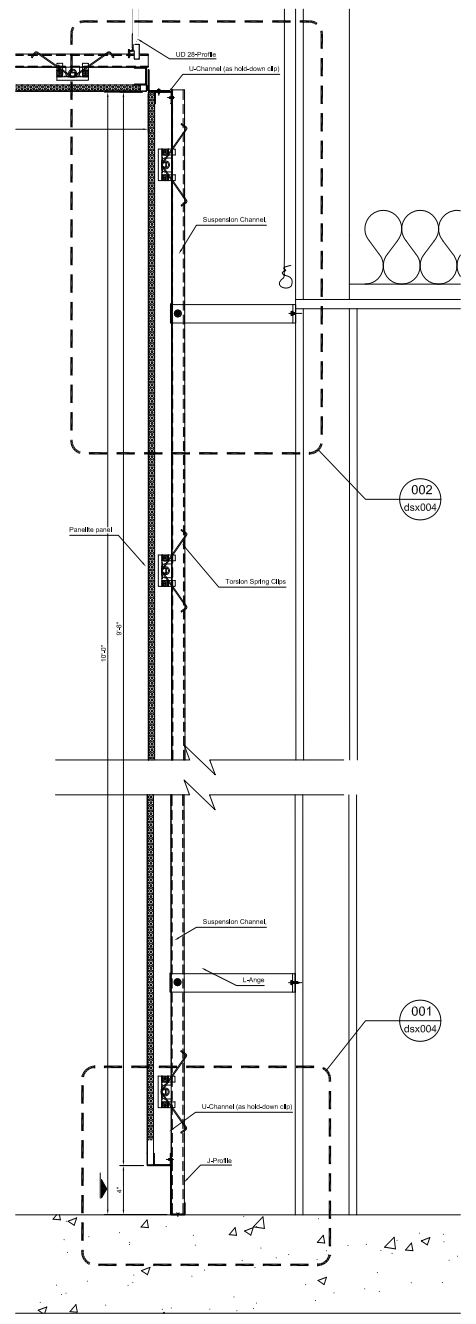
001 Ceiling Panel Section - Closeup 1
SCALE: 6" = 1'-0"

001
dsx003



002 Ceiling Panel Section - Closeup 2
SCALE: 6" = 1'-0"

002
dsx003

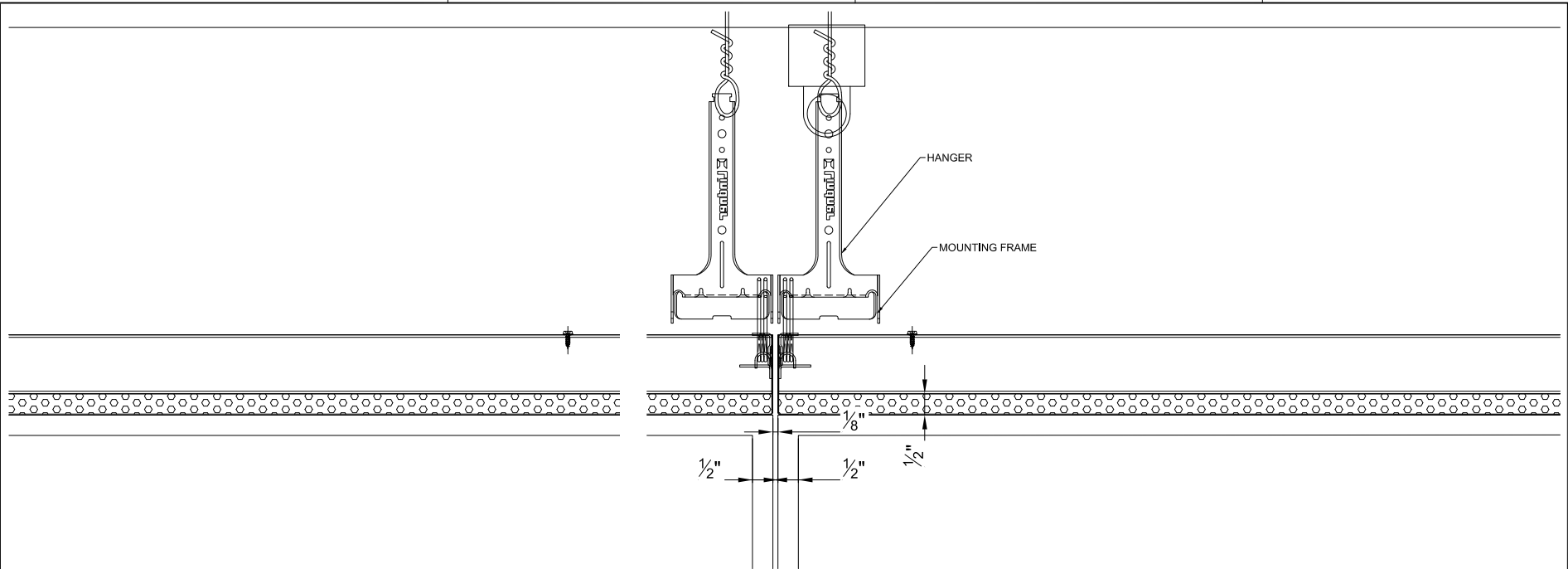


003 Wall Panel Section - Closeup
SCALE: 3/4" = 1'-0"

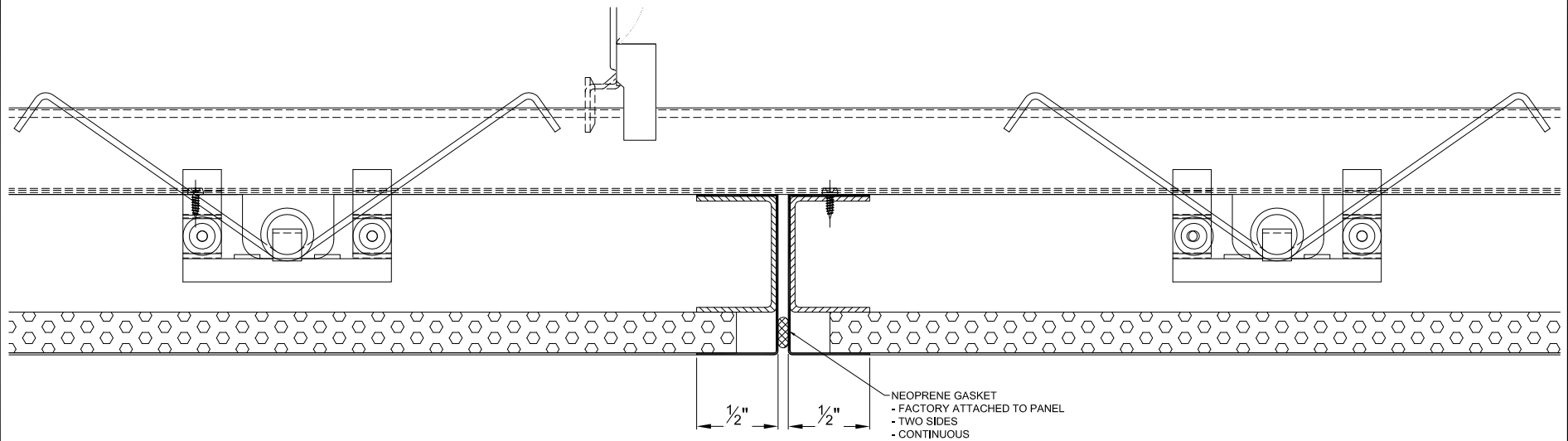
002
dsx004

001
dsx004



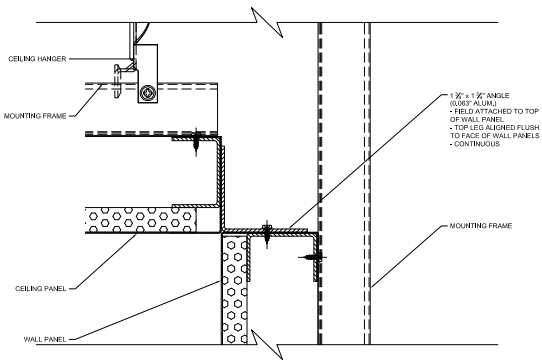


001 Ceiling Panel Section - Closeup 1a
SCALE: NTS

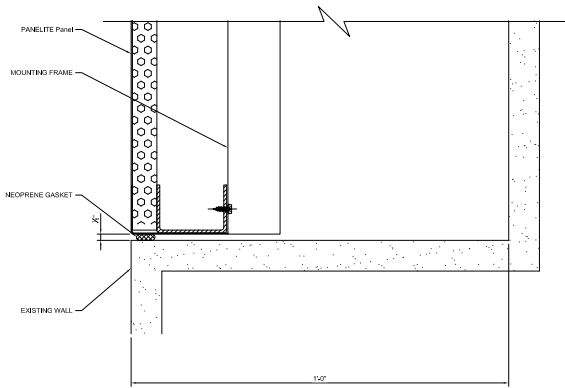


002 Ceiling Panel Section - Closeup 2a
SCALE: NTS

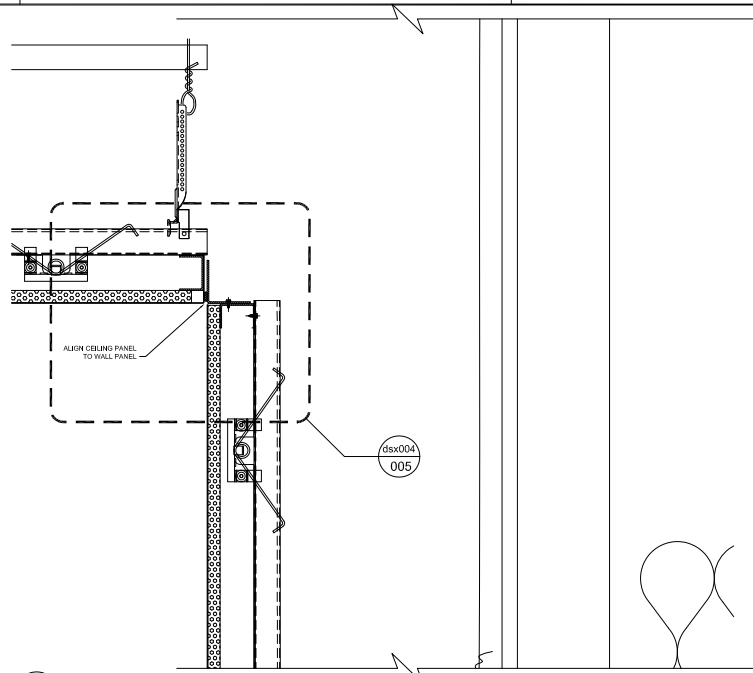




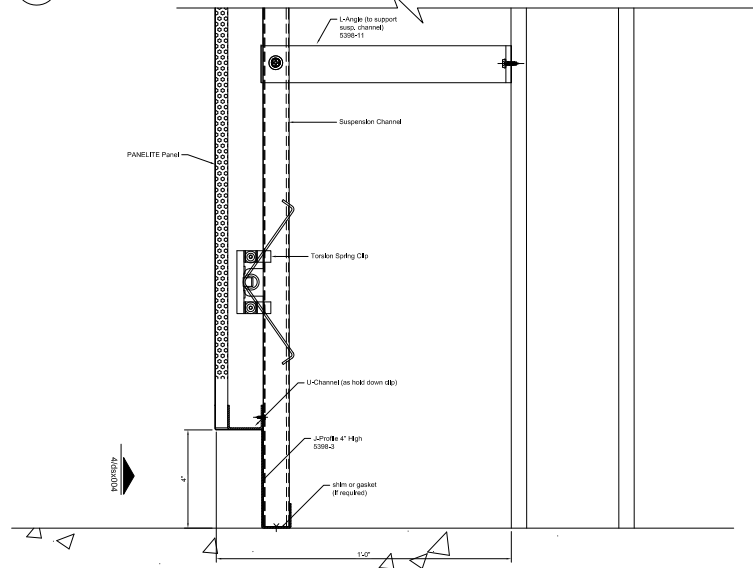
005 Wall Panel Sect - Top Of Wall
SCALE: NTS



003 Wall Panel Plan Detail - End
SCALE: NTS



002 Wall Panel Section - Closeup B
SCALE: NTS



001 Wall Panel Section - Closeup A
SCALE: NTS